

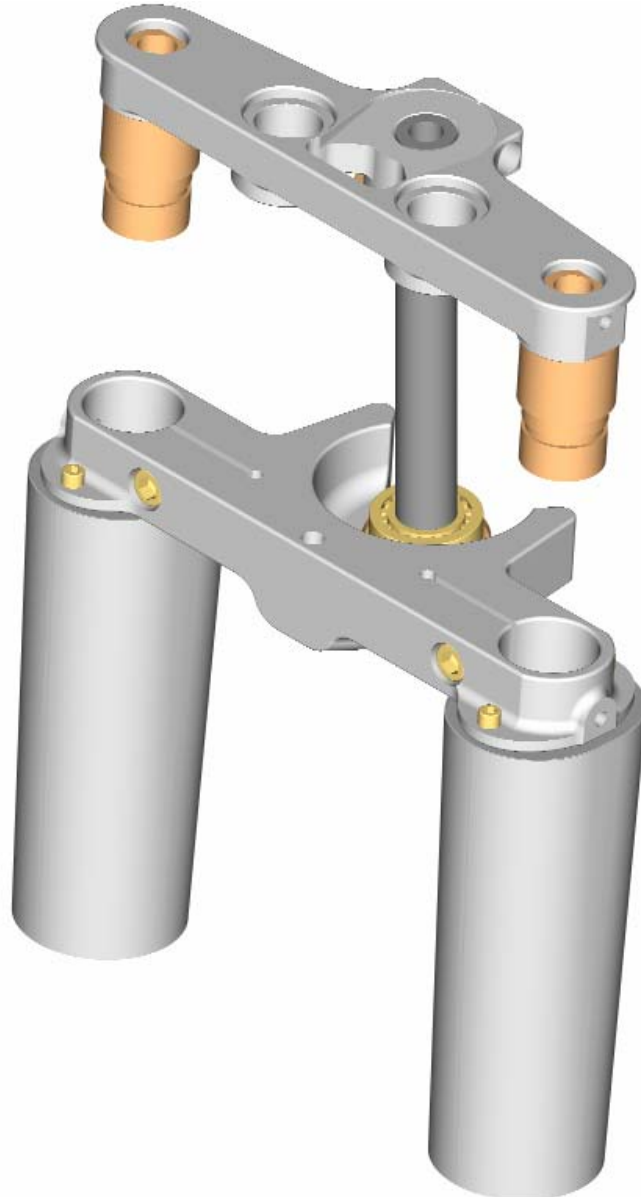
# Champion Sidecars

## EZ-Steer Installation Guide

For

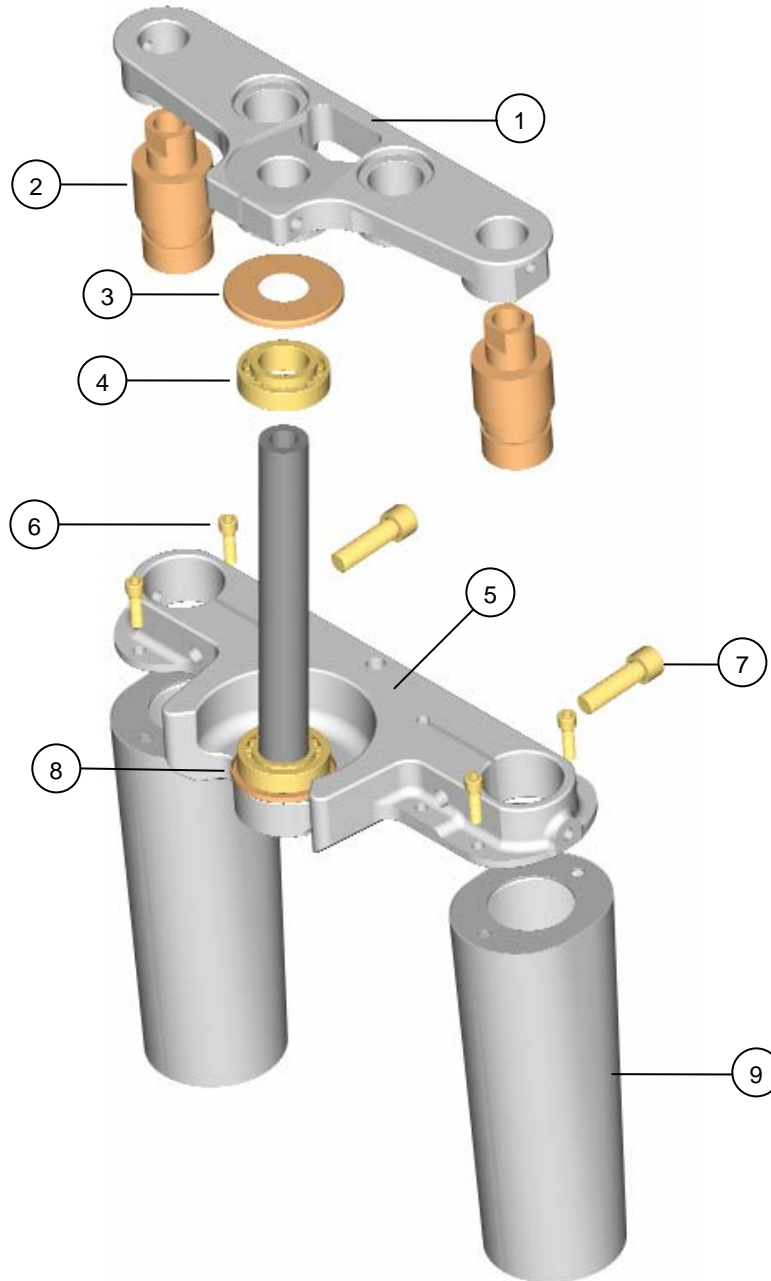
### Harley Davidson Softail Motorcycles

Revision 3



Champion Motorcycle Accessories International, Inc.  
Dba Champion Sidecars  
11841 Monarch Street, CA 92841  
(800) 875-0949 (714) 847-0949 Fax (714) 847-1539  
[www.championtrikes.com](http://www.championtrikes.com)

### EZ-Steer for Harley Davidson Softtail Motorcycles Parts Illustration



#	Part No.	Description (Qty)	#	Part No.	Description (Qty)
1	EZ-Q02-001	Triple Clamp, Upper (1)	5	EZ-Q02-002	Triple Clamp w/ Stem, Lower (1)
2	EZ-Q00-007	Fork Tube Extension (2)	6	HW-250-024	1/4-28 x 1 Socket Head Cap Screw (4)
3	EZ-Q00-004	Dust Cap, Upper Bearing (1)	7	HW-437-008	7/16-20 x 1.5 Socket Head Cap Screw (2)
4	BE-G00-002	Bearing Race, Inner (2)	8	EZ-Q00-005	Dust Cap, Lower Bearing (1)
	BE-G00-001	Bearing Race, Outer (2)	9	EZ-Q02-004	Fork Tube Cover (Pair)



## Softail EZ-Steer Instruction Supplement

Installation of the Champion EZ-Steer system is similar to the installation of the OEM triple clamps of your Harley Davidson Softail Motorcycle. We strongly recommend that you use your OEM service manual and follow the prescribed disassembly, installation and torque specifications (except where noted below) for the upper and lower clamp assembly.

### Installation Notes

- Note the torque specifications for the items listed below.

Item #	Description (Qty)	Torque Spec. (Lb.Ft.)
N/A	OEM Steering Stem Bolt (1)	35
7	7/16-20 x 1.5 Socket Head Cap Screw (2)	45

- The supplied fork tube extensions (Item #2) *must* be used with the Champion EZ-Steer system.
- Do not torque the steering stem bolt until fork tubes have been installed to the assembly.
- Remove O-rings from OEM fork tube ends and install to Champion fork tube extensions (Item #2) prior to installation onto fork tubes.
- The supplied fork tube covers (Item #9) must be installed to lower triple clamp prior to installation of fork tubes.

**WARNING:** If the Champion EZ-Steer system is installed on a motorcycle / sidecar combination and the sidecar is removed, the motorcycle is **not safe** to ride, and OEM triple clamps should be replaced.

### EZ-Steer Maintenance

The bearings in your EZ-Steer rake kit are normal wear items, not subject to replacement under Champion's one year Limited Warranty for the product. Failure to follow your motorcycle manufacturer's recommendations for periodic OEM triple-tree maintenance will accelerate the wear on these bearings. Checking/adjustment of the steering stem nut torque with the front end lifted, in accordance with your motorcycle manufacturer's recommendations, is important to reliable bearing service.